



MEET AQUA ILLI.

The world's smartest touch tap.

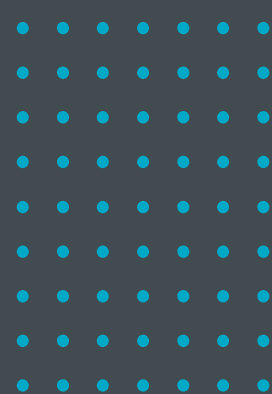
Innovative design, cutting-edge technology, and premium aesthetics.

The highest performing tap on the market today.



FEATURES.

- ▶ Patented boiler design gives high volumes of boiling water
- ▶ Perfect water flow with zero splash
- ▶ Removable dispense nozzle for improved hygiene
- ▶ Designed to fill water bottles without the need for front extension
- ▶ Plumbed-to-waste flush-fitting drip tray
- ▶ Safe dispense with a touch padlock feature
- ▶ Installed in modular form to fit into the tightest of spaces
- ▶ Pre-set fill volumes for any vessel and free flow options available
- ▶ Controls for increased accessibility are available
- ▶ Touch or touchless modules available



AVAILABLE FINISHES



CAPACITY

High

Ultra high



BOILING

PER HOUR

up to **45** litres or **180** cups

up to **90** litres or **180** flask/tea pots



CHILLED / SPARKLING / AMBIENT

PER HOUR

up to **45** litres or **180** glasses

up to **45** litres or **180** glasses

*Based on the following measurements: 1 cup/glass = 250ml & 1 flask/tea pot = 500ml

TALK TO US

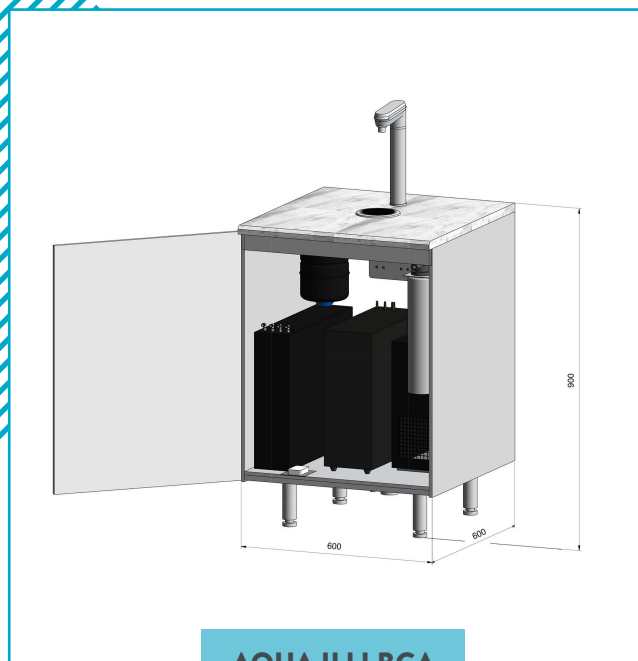
London showroom: 1 New Street, London, EC2M 4TP
www.aqualibra.com | 0800 080 6696 | sales@aqualibra.com



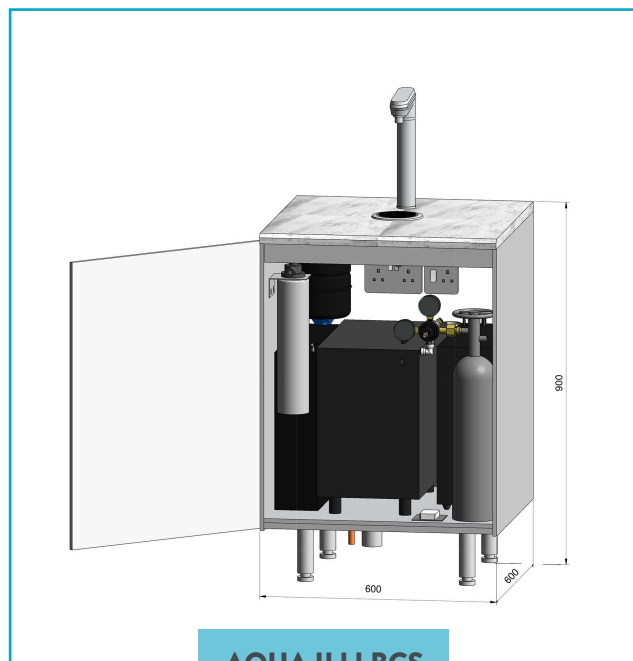
DIMENSIONS.

Undercounter units and dispensers.

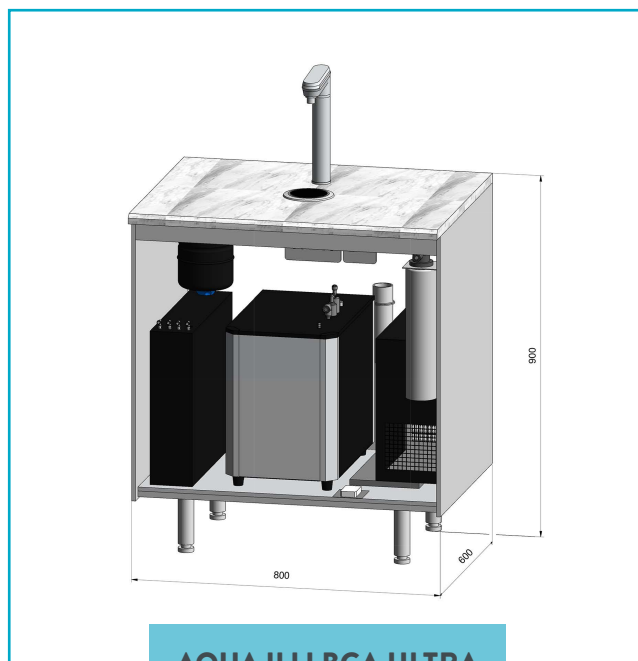
B - boiling, C - chilled, S - sparkling, A - ambient



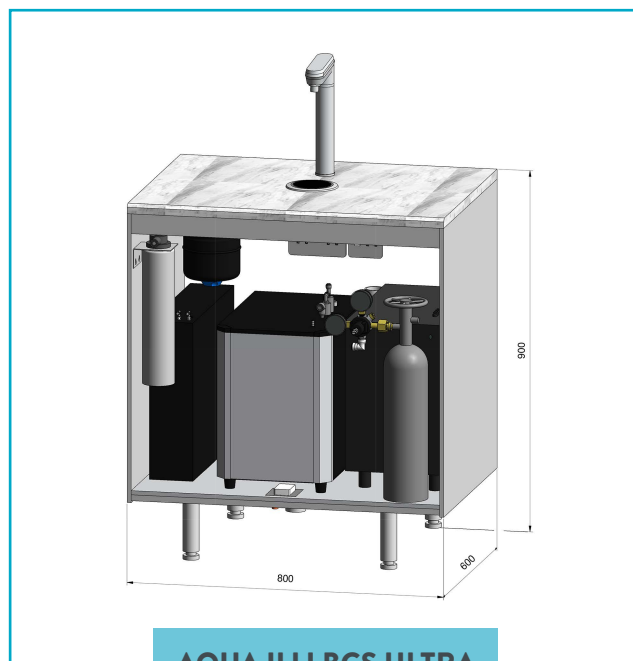
AQUA ILLI BCA



AQUA ILLI BCS

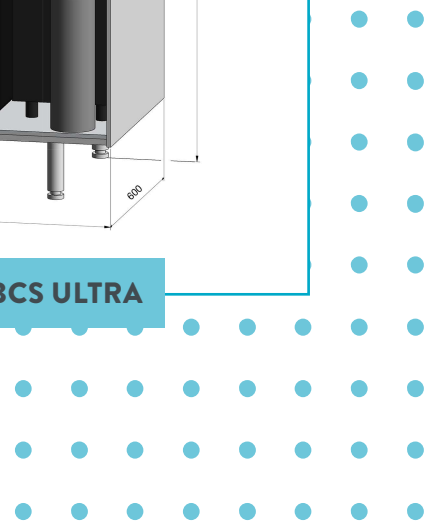


AQUA ILLI BCA ULTRA



AQUA ILLI BCS ULTRA

Other dispense options are available on request



PRE-INSTALLATION SERVICE REQUIREMENTS.

1

WATER.

No. 1 x Potable cold mains water supply terminating in a 15mm Ballofix isolation valve.

Minimum water pressure required:
2.5 BAR.

Minimum water flow rate required:
300 L.P.H.

Please Note: The site cold mains water supply must be microbiologically safe.

2

POWER.

No. 3 x 220 - 240V ac 50Hz Single switched 13A power sockets.

AQUA ILLI CHILLED STILL & HOT:

Water System Power Load: (Peak Time):
8.0Amps – 1750 Watts.

3

WASTE.

No. 1 x 40mm upstand trapped waste supply.

VENTILATION:

The base cabinet that houses the water cooler requires adequate ventilation, the ambient air temperature inside the base cabinet should not exceed 32°C. No objects should be placed on or around the water cooler.

Base cabinet ventilation options are available on request.

CO2 GAS:

(For Sparkling Systems Only) Food grade CO2 bottle type E290 is to be provided by the operator (2 kg, 6 kg or 10kg). The CO2 bottle must be located as far as possible from any heat sources.

The CO2 gas bottle should be sited in an upright position and secured with a safety strap.